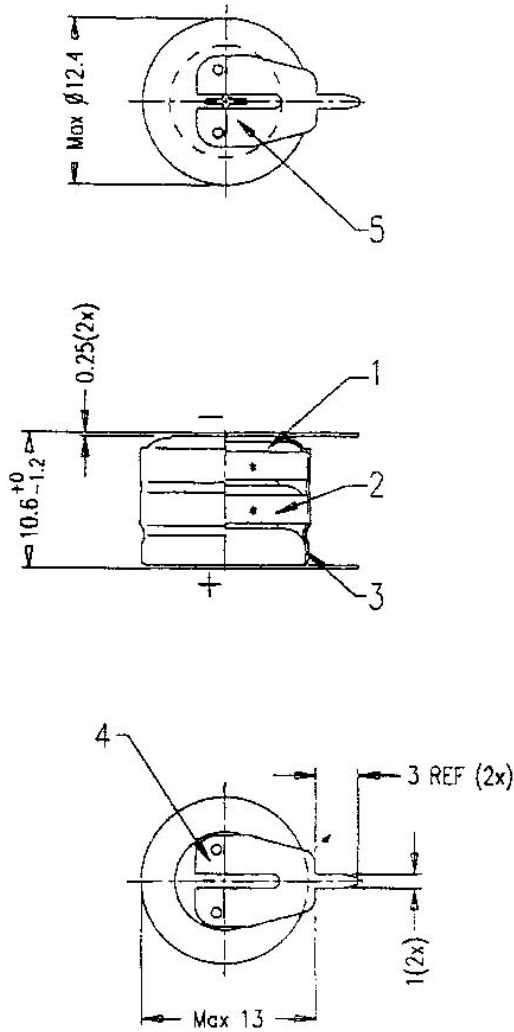


# 3.2



Note: 1)Special care to be taken i.e. NOT to mix the polarities

No.	Alterations:	Date:	Name:	Dimensions in mm	Material:
				Tolerance: DIN 7158 Medium	Refer to part list no: 071139
				Projection:	Description:  3/V15H battery with snrink sleeve & solder tags
				Scale: 2 : 1	
				Date: 1998- Name: Titus WS	
				Prepared: 03-10	
				Approved: 1998-	
RIGHTS RESERVED TO MAKE TECHNICAL CHANGES, AS A RESULT OF FURTHER DEVELOPMENT, WITHOUT NOTICE. THIS DRAWING IS THE PROPERTY OF VARTA BATTERIES PTE LTD AND MUST NOT BE COPIED OR DISCLOSED TO A THIRD PARTY WITHOUT THE WRITTEN CONSENT OF VARTA BATTERIES PTE LTD.				<b>VARTA</b> THE BATTERY EXPERTS	Dwg. No: 071139 VKB Order No: 55602 303 015