

CR1220

3V Lithium Battery
Swiss Made

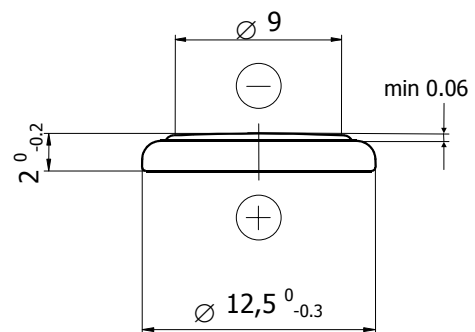
Technical Data Sheet

Specifications

Chemical System	Li / MnO ₂
Nominal Voltage	3 V
Rated Capacity	38 mAh
Standard Discharge Current	0,05 mA
Max. Cont. Discharge Current	1,0 mA
Average Weight	0,8 g
Temperature Range	-30 - +70 °C
Self Discharge at 23°C	< 1% / year

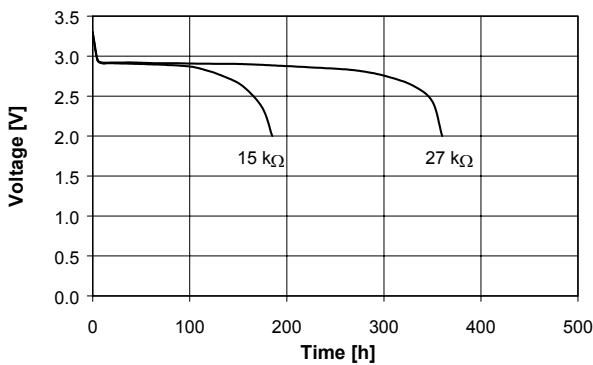
Dimensions

(According to IEC 60086)

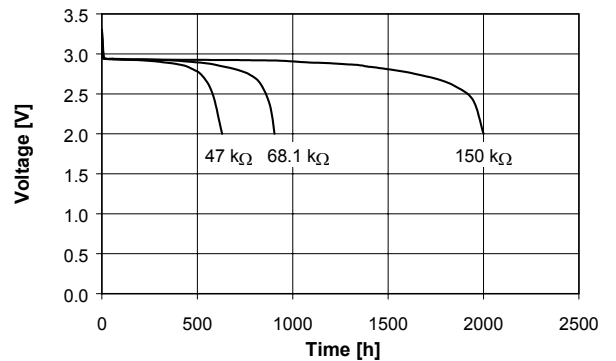


Performance

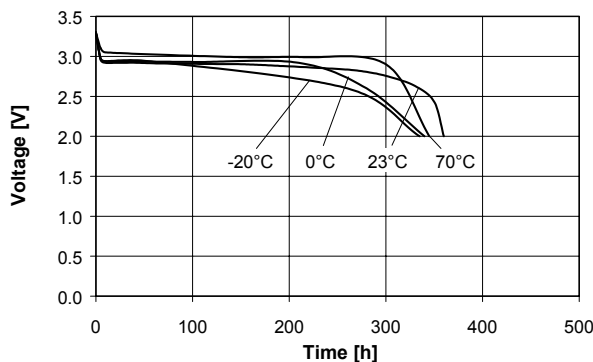
Discharge performance at 23°C



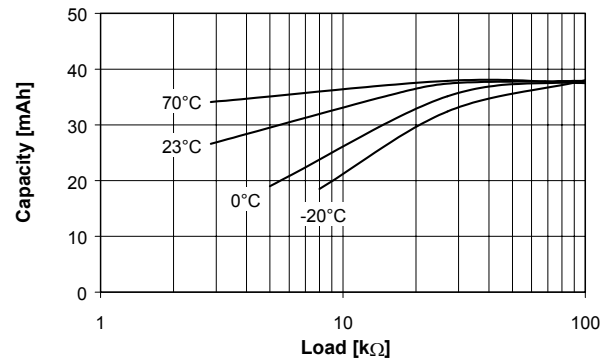
Discharge performance at 23°C



Temperature performance Load 27kΩ



Cell capacity at various loads



Rev. CR1220.04 10/01