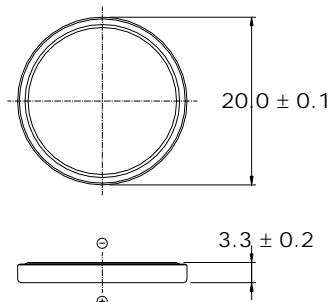
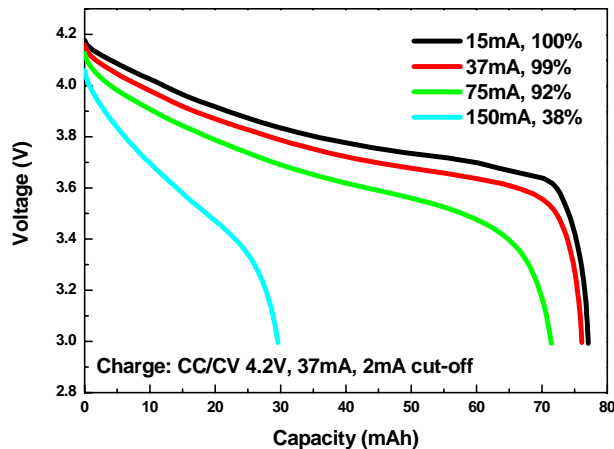


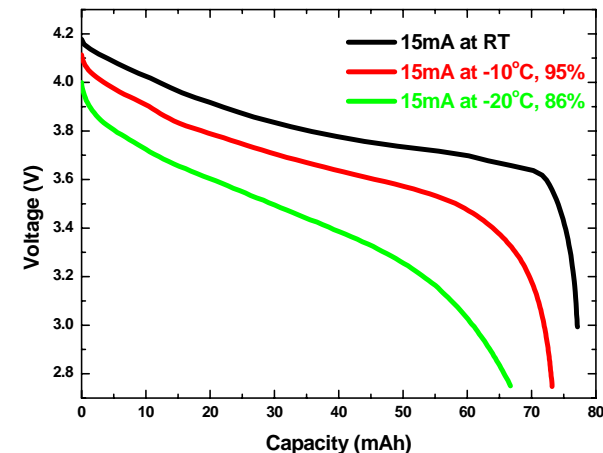
Dimension (mm) *1



Discharge Characteristics I



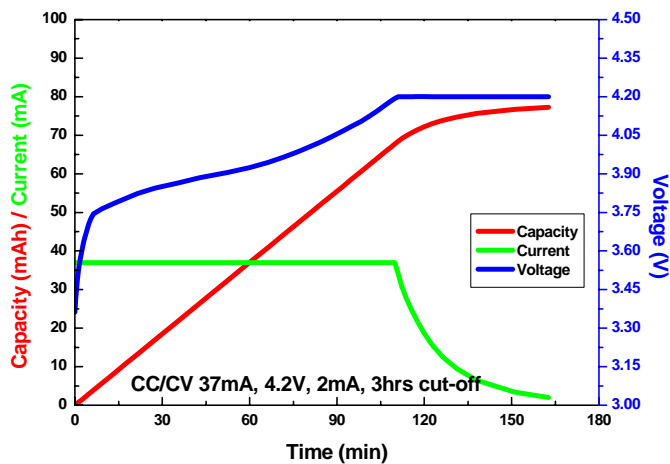
Discharge Characteristics II



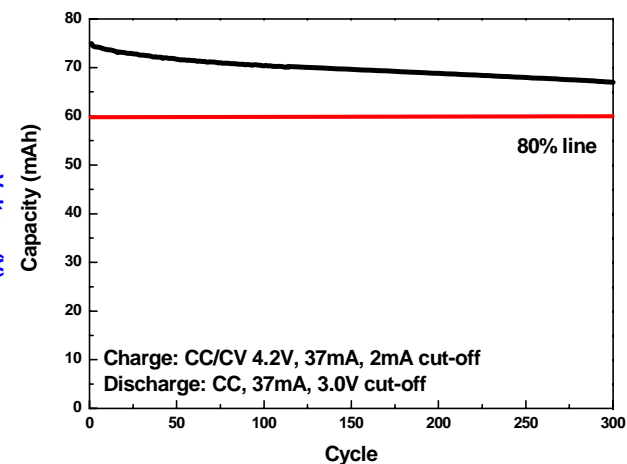
Specification

Nominal Voltage	3.7 V
Nominal Capacity *2	75 mAh
Dimension (mm)	3.3 x 20.0
Weight(Approx.)	3.1 g
Max. Discharge Current	2 CmA (150 mA)

Charge Characteristics



Cycle Life Characteristics



*1 Dimensions of a fresh battery

*2 Discharged at 0.2CmA(15mA), 3V cut-off