

CR2025

3V Lithium Battery
Swiss Made

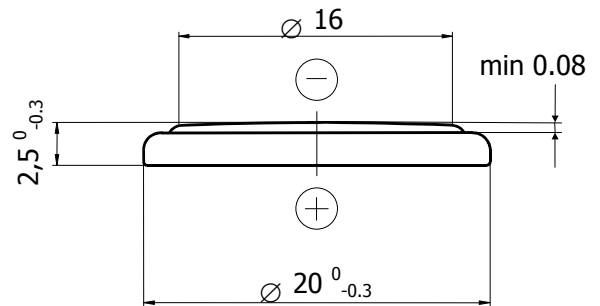
Technical Data Sheet

Specifications

| | |
|------------------------------|-----------------------|
| Chemical System | Li / MnO ₂ |
| Nominal Voltage | 3 V |
| Rated Capacity | 170 mAh |
| Standard Discharge Current | 0,3 mA |
| Max. Cont. Discharge Current | 3,0 mA |
| Average Weight | 2,3 g |
| Temperature Range | -30 - +70 °C |
| Self Discharge at 23°C | < 1% / year |

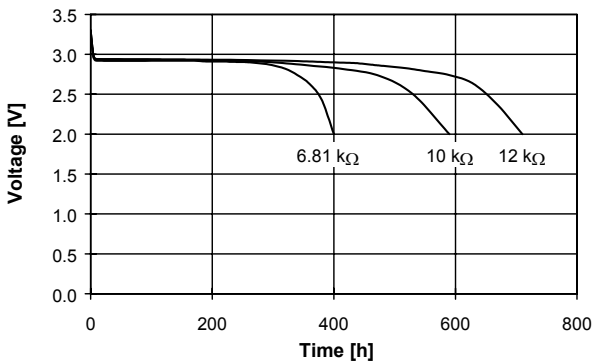
Dimensions

(According to IEC 60086)

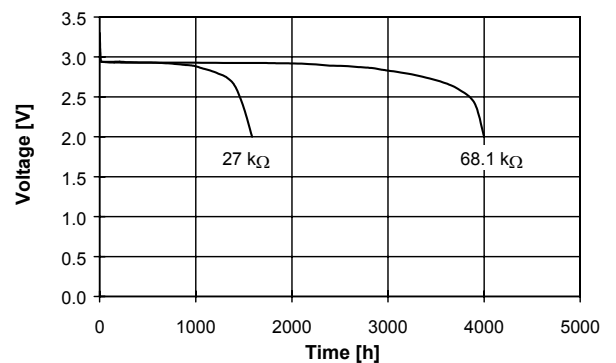


Performance

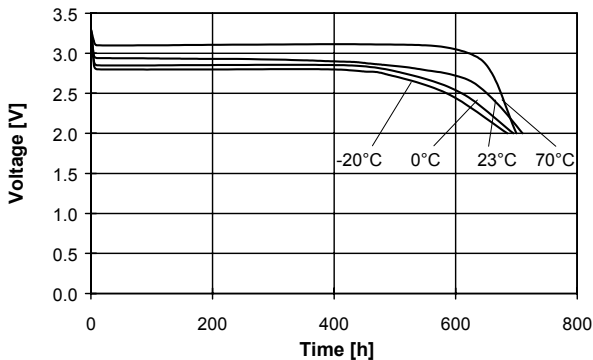
Discharge performance at 23°C



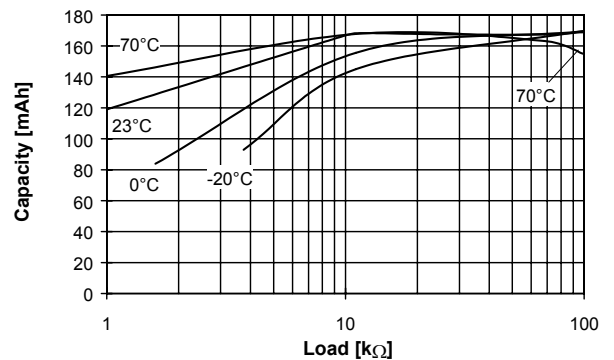
Discharge performance at 23°C



Temperature performance Load 12kΩ



Cell capacity at various loads



Rev. CR2025.05 10/01