

NCA103450 (Typ.2.35Ah)

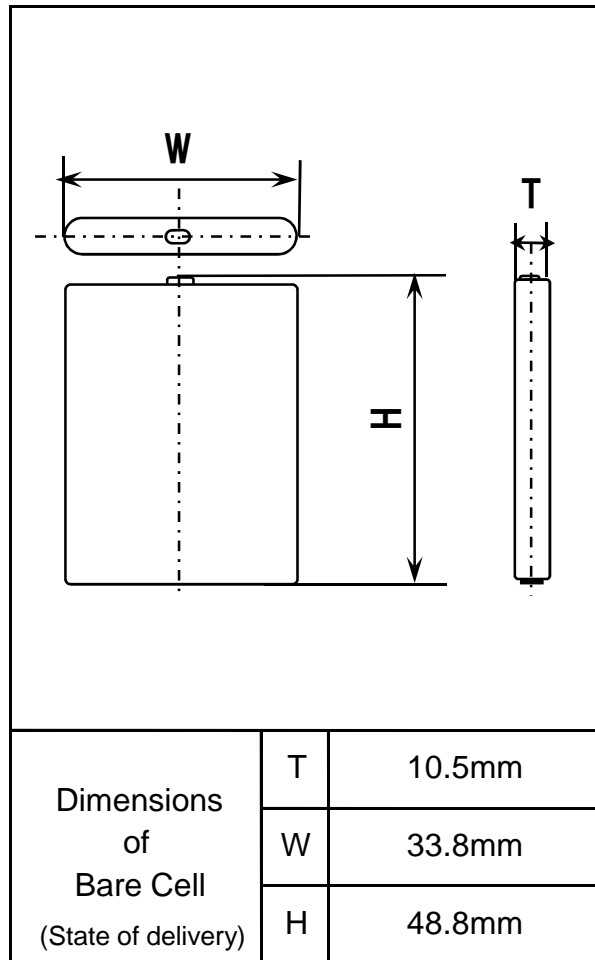
Capacity up of 103450 size cell

	UF103450P		NCA103450
Capacity (Typ.)	2.0Ah / 7.4Wh	15% up	2.35Ah / 8.5Wh
Charge voltage	4.20V		4.20V
Discharge voltage	3.00V		2.75V
Weight(Max.)	38.5g		38.4g
Cathode	LCO	Panasonic Technology	NNP (LiNiCoAlO₂)
Anode	Graphite		Graphite
Functional layer	None	Panasonic Technology	on Separator

Specification of NCA103450

Cell Type NCA103450(Typ.2350mAh)

Specifications



Rated Capacity	*at 20deg.C	Min.2200mAh
Nominal Capacity	*at 25deg.C	Min.2270mAh
		Typ.2350mAh
Nominal Voltage		3.6V
Charging Method		Constant Current -Constant Voltage
Charging Voltage		4.20V
Charging Current		Std. 1589mA
Charging Time		3.0hrs.
Ambient Temperature	Charge	0~+45°C
	Discharge	-20~+60°C
	Storage	-20~+60°C
Weight (Approx.)		38.4g
Dimensions (Max.)	(T)*	10.50mm
	(W)	33.80mm
	(H)	48.80mm
Volumetric Energy Density		457Wh/l
Gravimetric Energy Density		206Wh/kg

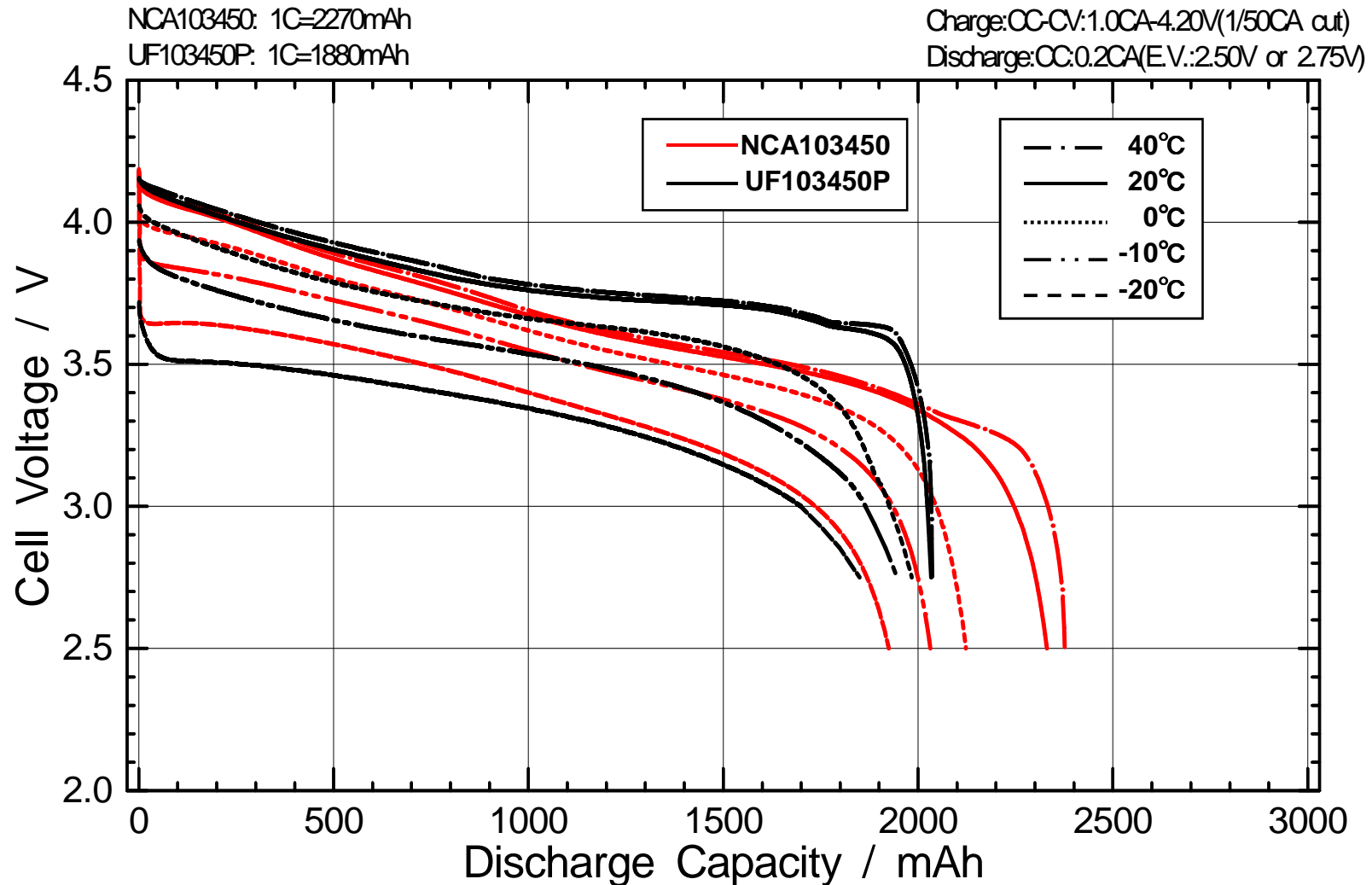
*The maximum thickness of the standard shipment charging condition

Specification comparison between NCA103450 and UF103450P

		NCA103450	UF103450P
Cathode Material		LiNiO ₂	LiCoO ₂
Rated Capacity (at 20 deg.C)		Min.2200mAh	Min.1880mAh
Nominal Capacity (at 25 deg.C)		Typ.2350mAh	Typ.2000mAh
		Min.2270mAh	Min.1880mAh
Nominal Voltage		3.6V	3.7V
Charging Method		Constant Current -Constant Voltage	Constant Current -Constant Voltage
Charging Voltage		4.20V	4.20V
Charging Current		Std. 1589mA	Std. 1880mA
Charging Time		3.0hrs.	3.0hrs.
Discharge cut-off voltage		2.75V	2.75V
Ambient Temperature	Charge	0~+40°C	0~+40°C
	Discharge	-20~+60°C	-20~+60°C
	Storage	-20~+50°C	-20~+50°C
Weight (Max.)		38.4g	38.5g
Dimensions (Max.)	(T)*	10.50mm	10.50mm
	(W)	33.80mm	33.80mm
	(H)	48.80mm	48.80mm
Volumetric Energy Density		457Wh/l	402Wh/l
Gravimetric Energy Density		206Wh/kg	181Wh/kg

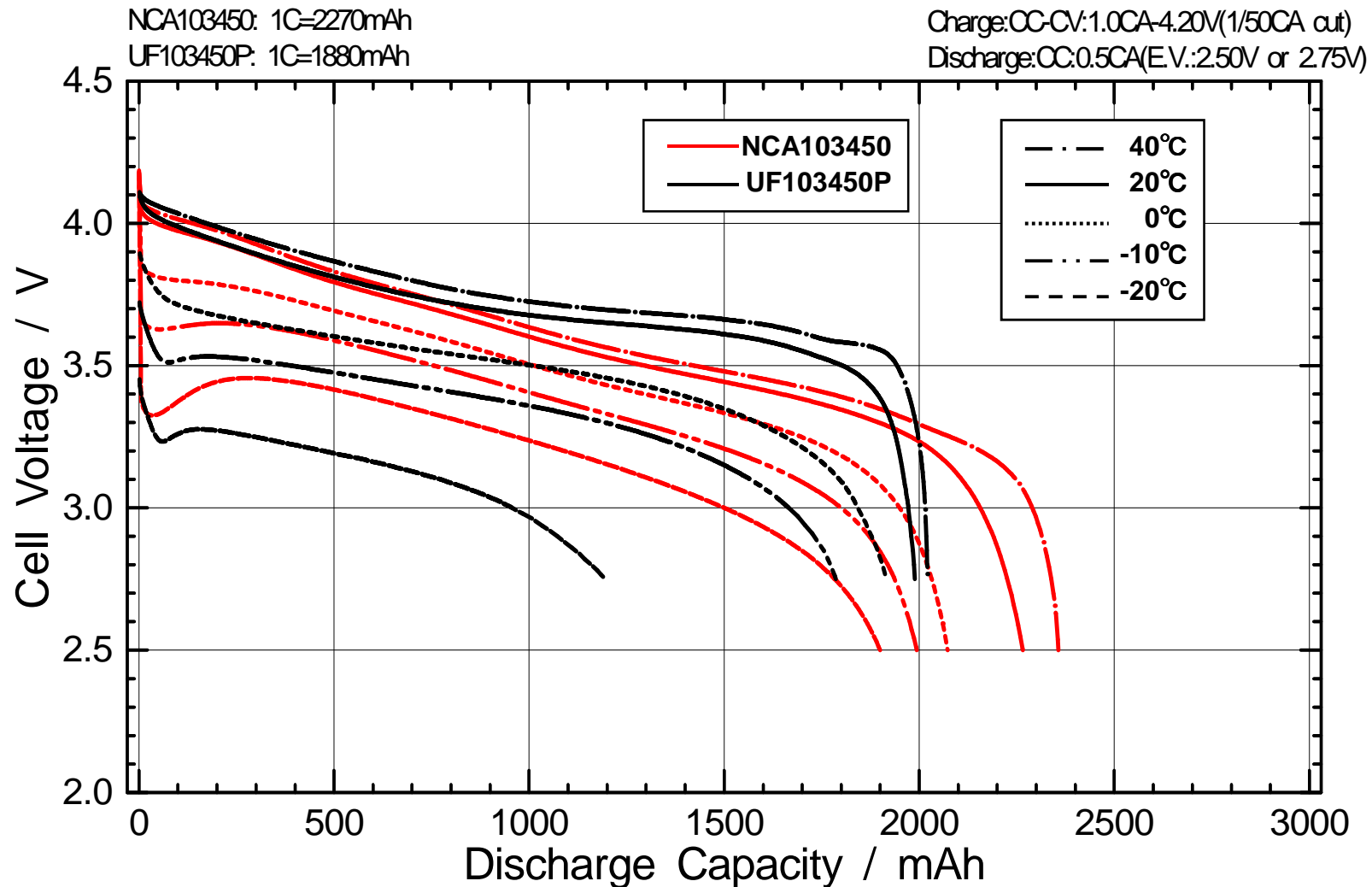
Discharge characteristics of NCA103450 and UF103450P (0.2CA)

Discharge Temp. Characteristics for NCA103450,UF103450P



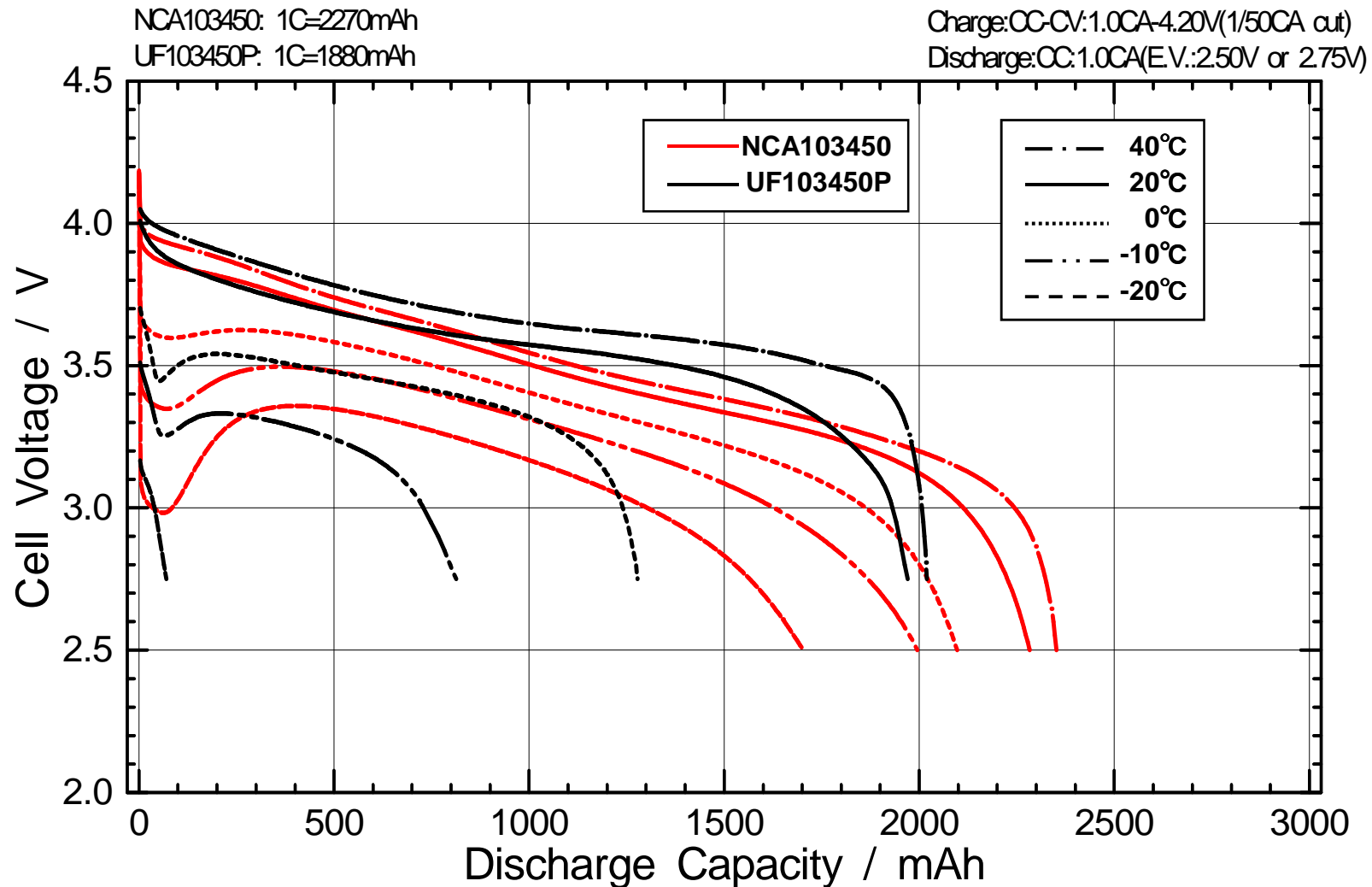
Discharge characteristics of NCA103450 and UF103450P (0.5CA)

Discharge Temp. Characteristics for NCA103450,UF103450P



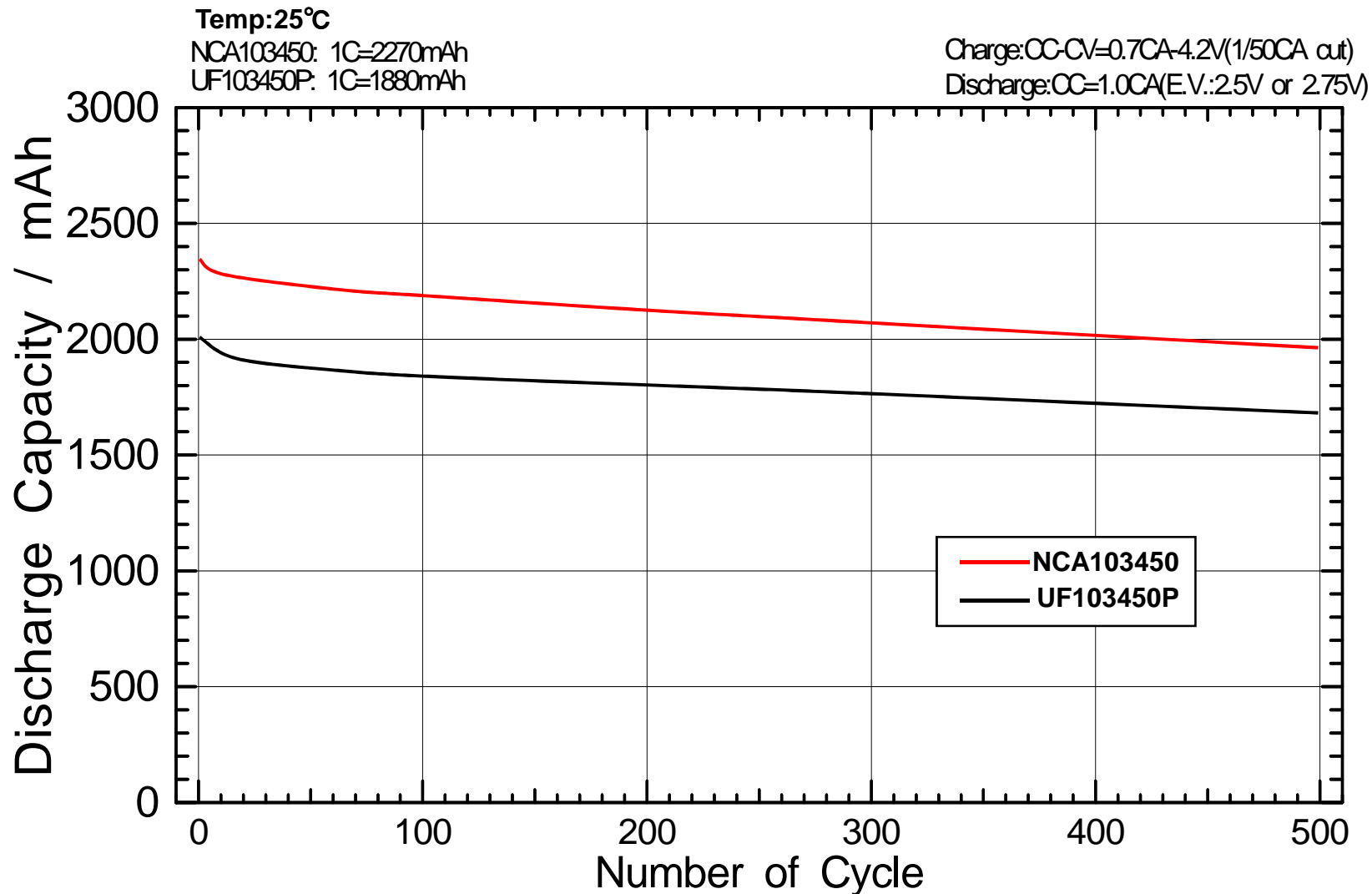
Discharge characteristics of NCA103450 and UF103450P (1.0CA)

Discharge Temp. Characteristics for NCA103450,UF103450P



Cycle characteristics of NCA103450 and UF103450P

Cycle Characteristics for NCA103450, UF103450P



Panasonic

ideas for life