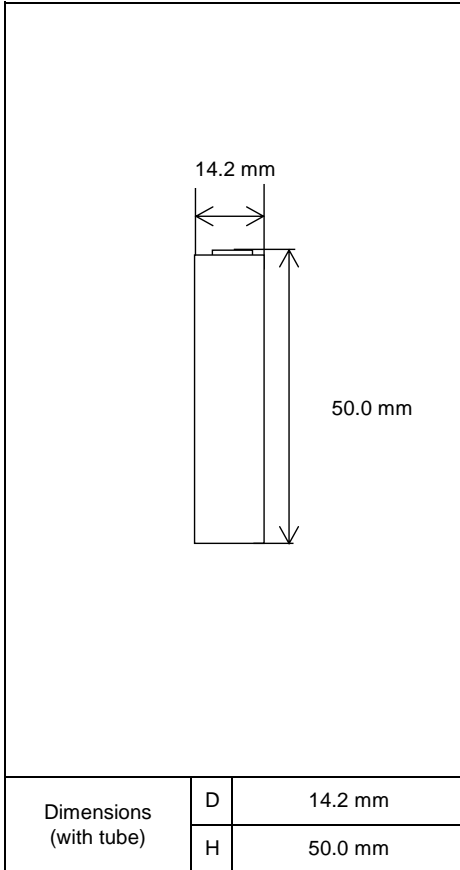


Specifications

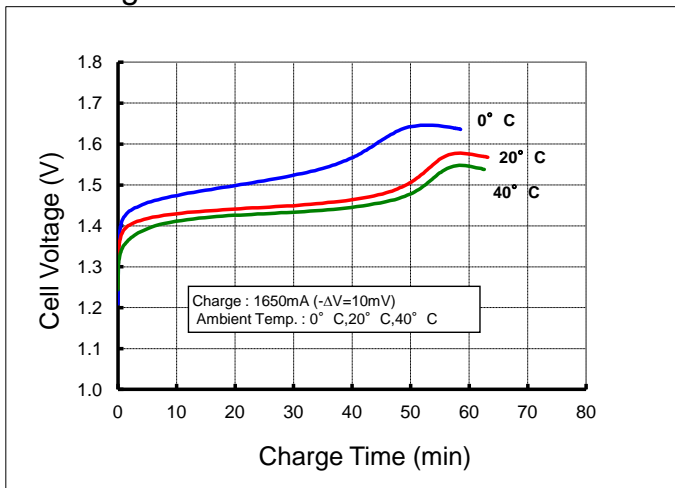


Type : Nickel-Metal Hydride Battery		Size : AA	
Capacity ¹⁾	Typical	1650mAh	
	Minimum	1500mAh	
Nominal Voltage		1.2V	
Charging Current x Time	Fast Charge ²⁾	1650 mA x about 1.1h	
Ambient Temp.	Charge Condition	Fast Charge ²⁾	0°C - 40°C
	Discharge Condition		0°C - 50°C
	Storage Condition	Less than 30days	-20°C - 50°C
		Less than 90days	-20°C - 40°C
Less than 1year		-20°C - 30°C	
Internal Impedance ³⁾ (after discharge to E.V.=1.0V)		Approx. 25mΩ (at 1000Hz)	
Weight ⁴⁾		Approx. 27 g	
Size ⁴⁾ : (Diameter) x (Height)		14.2(D) x 50.0(H) mm	

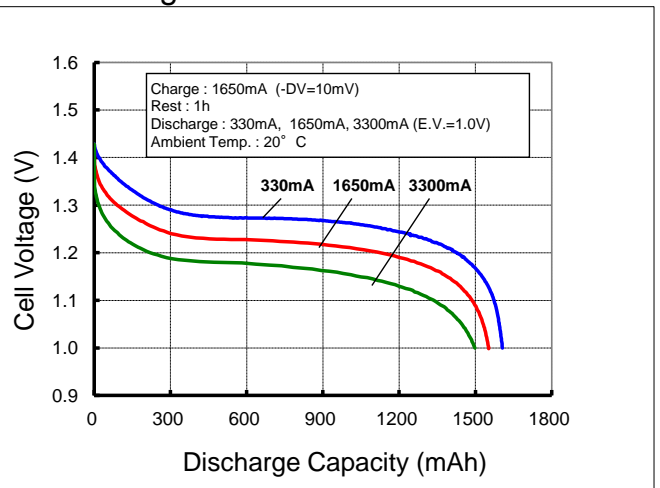
- 1) Single cell capacity under the following condition.
Charge : 165mA x 16h, Discharge : 330mA (E.V.=1.0V) at 20°C
- 2) Use recommended charging system.
- 3) After a few charge and discharge cycles under the above 1) condition.
- 4) With tube.

Typical Characteristics

Charge



Discharge



Mouser Electronics

Authorized Distributor

Click to View Pricing, Inventory, Delivery & Lifecycle Information:

Unspecified:

[HR-AAU](#) [HRAAU-ST](#)