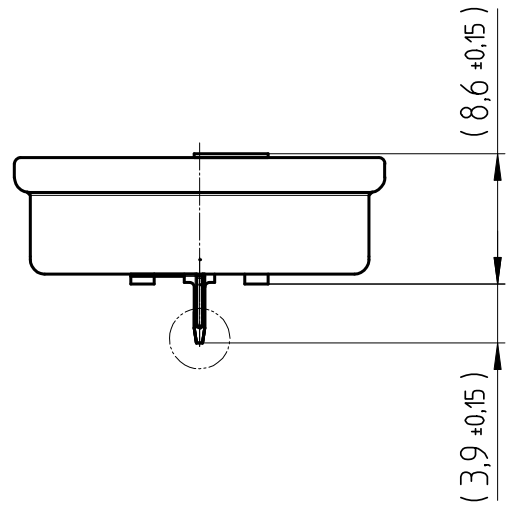
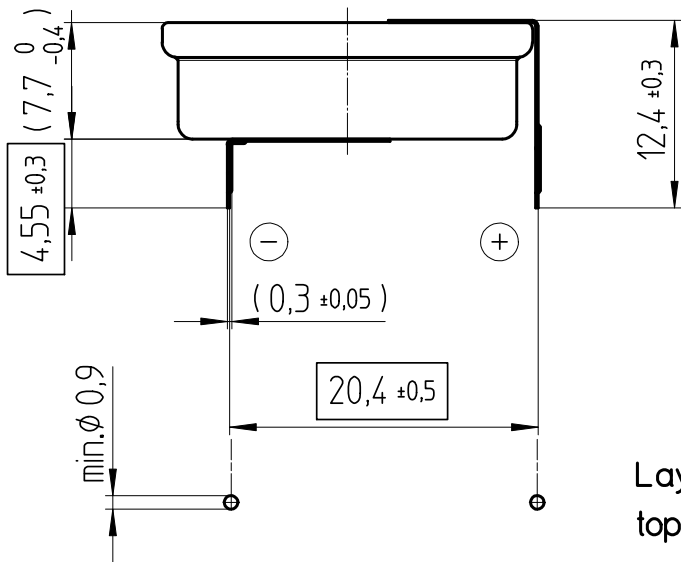
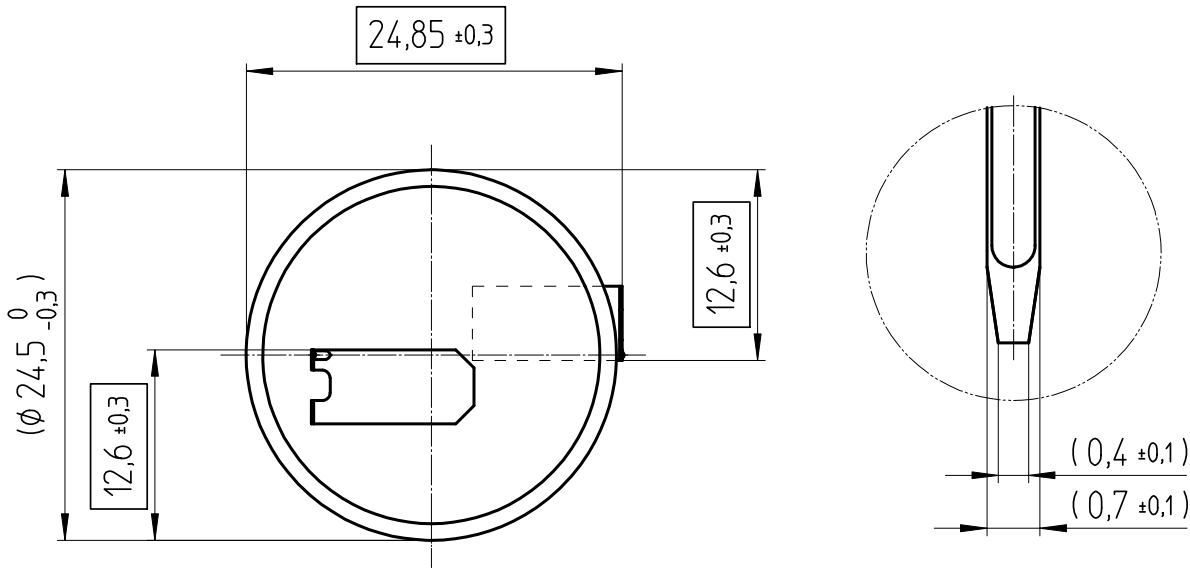


Art.-Number: 701100



Layout top view

- Samples can deviate in the execution from the serie.

Tab material: Stainless steel

All framed values will be used for dimension checking !

The Products of Renata SA are neither designed nor authorized for use in certain areas of application of environment. For further details we refer to our webpage: www.renata.com/downloads/restriction_of_use

- Dimensions and tolerances can be specified only after the testing of the devices for the mass production definitely

Rev.	①	12.09.2019	SRi	Rev.	⊙	.	.	Customer's Approval			
Rev.	⊙	.	.	Rev.	⊙	.	.	Date			
Rev.	⊙	.	.	Rev.	⊙	.	.	Signature			
Titel:								Scale 2:1	Drawn	06.01.05	SRi
CR2477NFH-LF									Checked	13.09.19	HSn
									Approved	16.09.19	MDi
				CH-4452 Itingen Switzerland				3.8738.4-1			