



12V

214Ah

SLA

AGM

12SB215TL-FR

Rechargeable AGM Sealed Lead Acid Battery

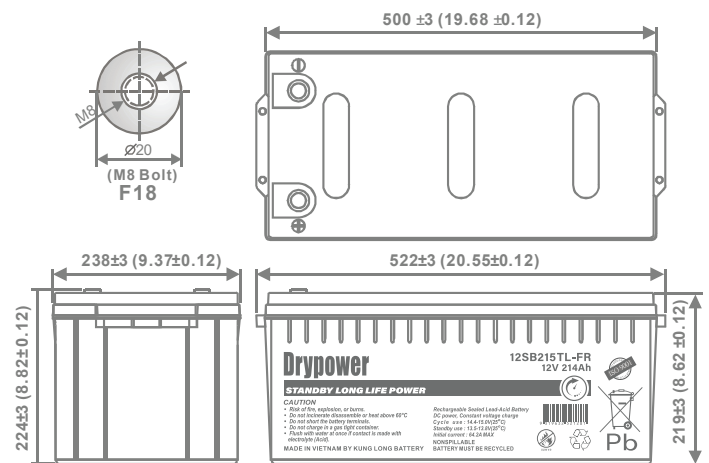
SPECIFICATIONS

Nominal Voltage	12V	
Nominal Capacity		
20 hour rate (10.7A to 9.90V)	214Ah	
10 hour rate (20A to 10.80V)	200Ah	
5 hour rate (34A to 10.20V)	170Ah	
1 hour rate (120A to 9.60V)	120Ah	
Weight	Approx. 61.5kg	
Internal Resistance (at 1KHz)	Approx. 3mΩ	
Maximum Discharge Current (5 secs)	1600A	
Charge Methods at 25°C		
Standby Use		
Float Charging Voltage	13.5V to 13.8V	
Coefficient -3.0mV/°C/Cell		
Maximum Charging Current	64.2A	
Operating Temperature Range		
Charge	-15°C to 40°C	
Discharge	-15°C to 50°C	
Storage	-15°C to 40°C	
Charge Retention (Shelf Life) at 20°C		
1 month	98%	
3 months	94%	
6 months	85%	
Case Material	UL94 V-0 Flame Retardant	
Termination	F18 (M8 Bolt)	



DIMENSIONS

mm (inch)



Description of Torque Value of Hardware for the Terminals

Recommended Torque Value	M8: 12 N-m (122kgf-cm)
Max. Allowable Torque Value	M8: 15 N-m (153kgf-cm)

Design Life	10-12 years at 20°C
Expected Trickle Design Life	

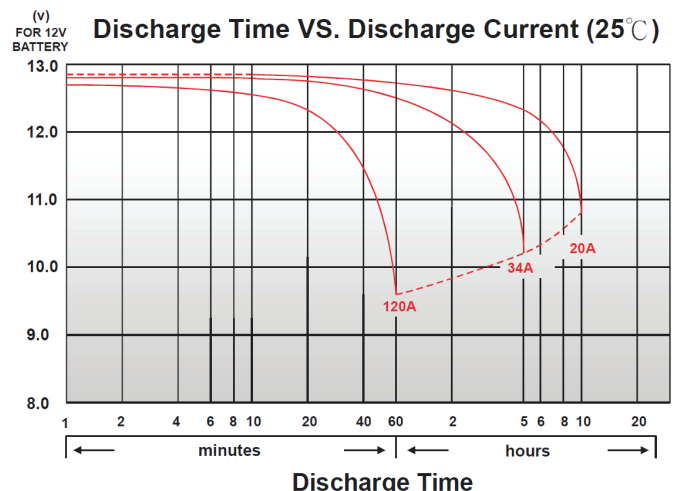
Classified as a non-spillable battery.

Approved for transportation by:

- Air (IATA/ICAO provision A67)
- Road
- Sea (per IMDG Special Provision 238)

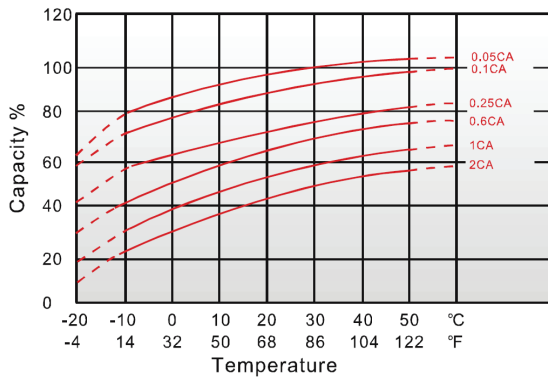


Barcode	 9319632521281
----------------	--

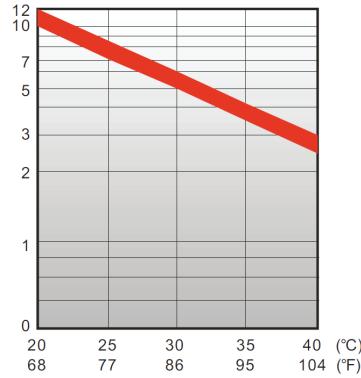


CHARACTERISTICS CHARTS

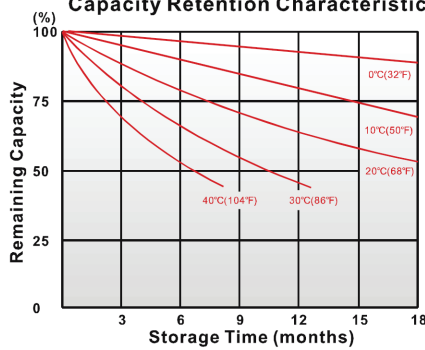
Effect of Temperature on Capacity 25°C(77°F)



Trickle (or float) Service Life



Capacity Retention Characteristic



FEATURES & BENEFITS

- ◆ Industry leading 99.99% pure lead content for superior service life and dependable performance.
- ◆ Long service life to reduce maintenance and logistical costs across telecom, utilities and off-grid applications.
- ◆ Minimises sulphation with a thicker plate design and higher percentage of tin content to maximise battery standby life.
- ◆ High rate discharge capable to ensure reliable performance.
- ◆ Maintenance free technology and non-spillable design.
- ◆ Manufactured by Kung Long Battery (KLB) at facilities in Taiwan and Vietnam. KLB is a leading manufacturer and complies with relevant international quality standards including ISO9001, CE ETL9000, UL1989, OHSAS18001 and ISO17025. KLB supports Green Sustainable supply chain practices.



PERFORMANCE DATA

Discharge Rates in Watts to Various End Voltages at 25°C (77°F)

End Voltage		1.80V	1.75V	1.70V	1.65V	1.60V
Time						
10	min	604	641	666	693	712
15	min	519	548	568	589	604
30	min	334	347	355	367	374
60	min	215	222	226	232	236
120	min	133	137	139	140	141
180	min	95	98	98.7	99.3	100
240	min	78	80.3	81	81.5	82
300	min	66.8	69	69.5	69.8	70.3
600	min	39.8	40	40.3	40.5	40.5
1200	min	21	21.2	21.3	21.3	21.3

Discharge Rates in Amperes to Various End Voltages at 25°C (77°F)

End Voltage		1.80V	1.75V	1.70V	1.65V	1.60V
Time						
10	min	334	354	367	383	393
15	min	284	300	310	322	330
30	min	179	185	190	196	200
60	min	113	117	119	122	124
120	min	69.1	70.9	72	72.6	73.1
180	min	48.5	50	50.4	50.7	51
240	min	39.8	41	41.3	41.6	41.8
300	min	34	35	35.2	35.5	35.7
600	min	20	20.1	20.3	20.3	20.4
1200	min	10.5	10.6	10.6	10.7	10.7

All data on the spec. sheet is an average value:

The tolerance range : X < 6min (+15%~-15%), 6min ≤ X < 10min (+12%~-12%), 10min ≤ X < 60min (+8%~-8%), X ≥ 60min (+5%~-5%)

Aug2020

Performance may vary depending on application. All specifications are correct at time of creation. All specifications and operation conditions contained in this datasheet are subject to change or improvement without prior notice to the user. This data is for evaluation purposes only. No guarantee is intended or implied by this data. For clarification and updated information, please contact us.