



CP303047 3.0V

**Electrical characteristics**

Typical values relative to cells stored for one year

<p>⦿ Nominal capacity</p> <p>Discharged capacity at 1mA,+25°C, 1.8V cut off.</p>	<p>1000mAh</p>
<p>⦿ Nominal voltage</p>	<p>3.0V</p>
<p>⦿ Max. recommended continuous current</p> <p>Discharged to 1.8V at 25°C permitting 50% of the Nominal capacity to be achieved</p>	<p>300mA</p>
<p>⦿ Max. Pulse current</p> <p>15 seconds at 25°C drained with 50% of the nominal capacity, yield voltage reading above 1.8V. The value may vary with the pulse characteristics, the temperature and the cell's previous history</p>	<p>600mA</p>
<p>⦿ Storage</p>	<p>Max 30°C</p>
<p>⦿ Operating temperature range</p>	<p>-40~+60°C</p>
<p>⦿ Weight</p>	<p>≈7g</p>

**Warning**

**Don't charge crush, disassemble, expose contents to water, heat above 80°C, or may lead to explosion, burn or goods leakage. Discarded battery should be buried deeply to the ground.**

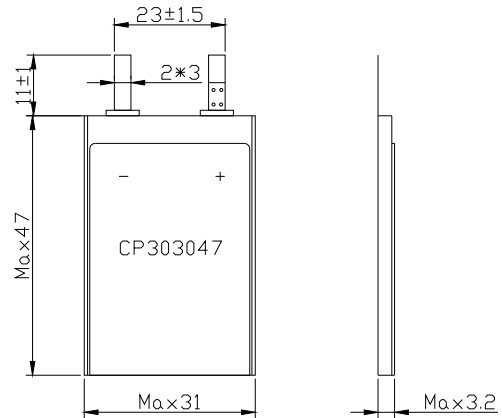
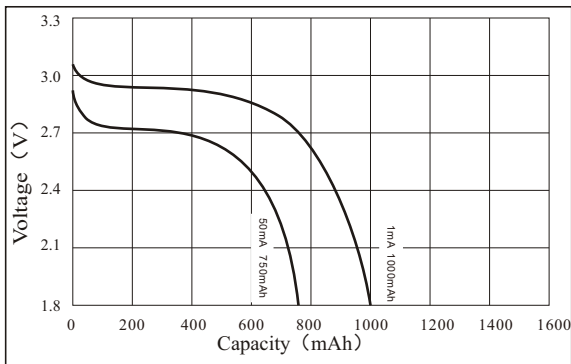
**Key features**

- High and stable operating voltage
- Long shelf life Annual self-discharge rate lower than 2% at +20°C
- Hermetic Sealing
- Compliant with IEC 86-4 safety standard
- Non-restricted for transport

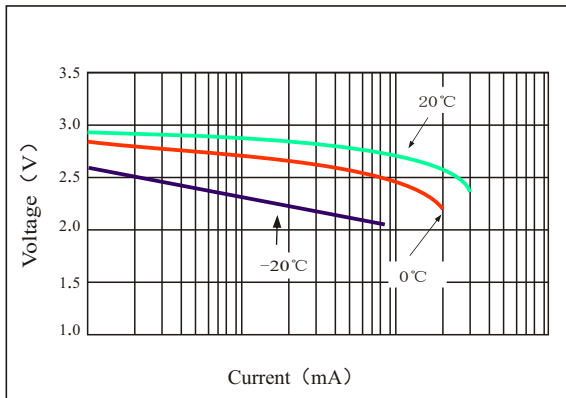
**Main applications**

- active tags
- Alarms or security equipment
- Smoke detector
- Memory backup
- Real time clock
- Professional electronic equipment
- Medical equipment
- .....

Discharge characteristics at 25°C



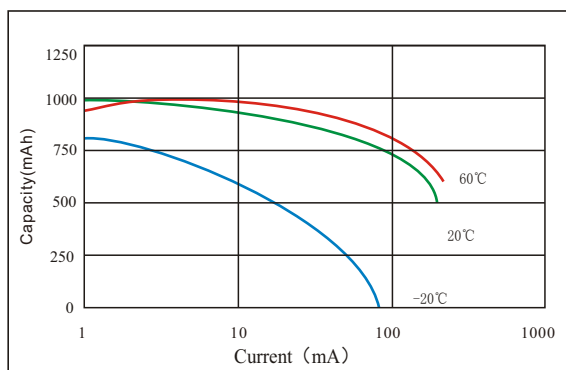
Voltage VS Current & Temperature Curve



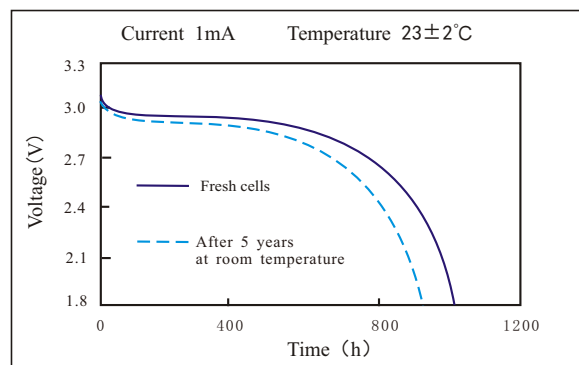
Dimensions in mm

Special terminal can be made according to customer's requirement

Capacity VS Current & Temperature Curve



Storage characteristics



Data in this page is subject to change without notice and becomes contractual only after written confirmation by Fanso