

1

2

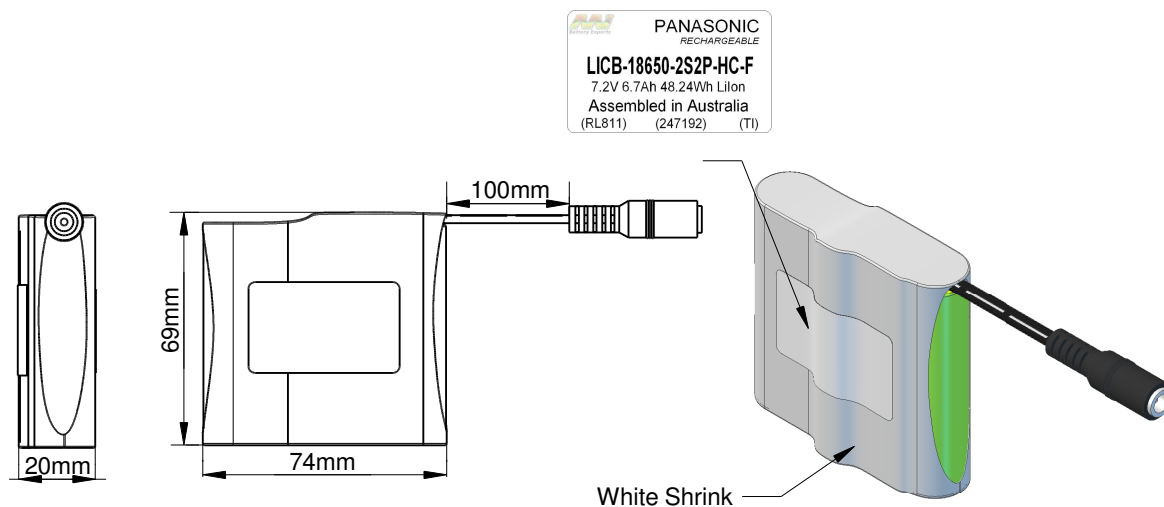
3

4

5

6

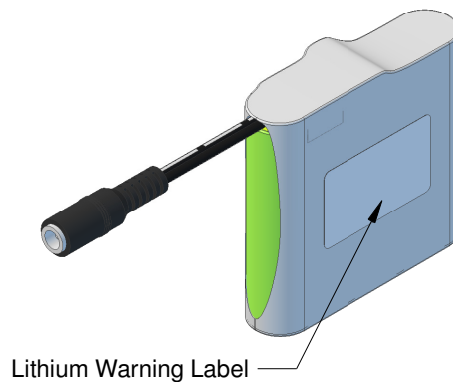
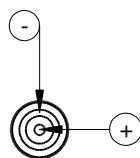
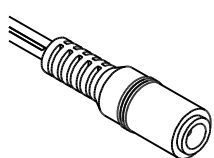
A



B



C



D

**Mi**  
**Master Instruments**

This drawing and the designs so represented are the copyright property of Master Instruments Pty Ltd. The drawing shall not be copied, loaned or issued without the express written permission of a duly authorised representative of Master Instruments Pty Ltd.

PART NO	RL811	STOCK CODE	88003-109	RevNo	0
CELL TYPE	NCR18650B	RECOMMENDED CHARGER	3P10-L1008-2.1mm or FY085XXXX	DATE	15/01/16
				PAGE	1 OF 1

### Technical Data

#### Safety Board (PCM)

PCM	MIPCM-2SXP10A
Over Charge Detection Voltage	4.26V ± 0.025V
Over Charge Release Voltage	4.05V ± 0.05V
Over Discharge Detection Voltage	2.4V ± 0.08V
Over Discharge Release Voltage	3.0V ± 0.1V
Over Current Detection Current	20A ± 2.0A
Max Discharge Current	10A
Short Circuit Protection	External Short 200-500ms
Protection Circuit Resistance	≤30mΩ
PTC Resettable Fuse	N/A
Thermistor	N/A
Chemistry	Lilon
Configuration	2S2P
Voltage	7.2V
Capacity	6.7Ah
Energy	48.24Wh
Weight	202g
Rated Discharge	1.3A (C/5)
Max Discharge Continuous	PCM: 10A
	Cell: 9.75A
Charge Rate	3.25A
Operating Temperature Range	Charge: 10 - 45°C
	Discharge: -20 - 60°C
Charge Voltage	8.4V
Discharge End Voltage	6V
Connector	CE180 2.1mm(ID) x 5.5mm(OD) DC Jack
Suits Mating Connector	P4215 DC Plug Male 2.1mm(ID) x 5.5mm(OD)

A

B

C

D

1

2

3

6