

1

2

3

4

5

6

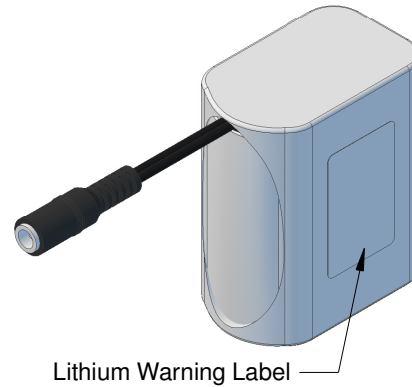
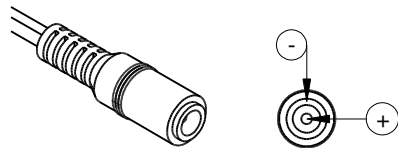
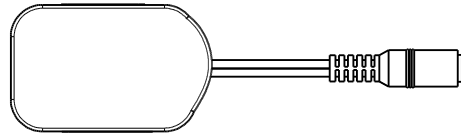
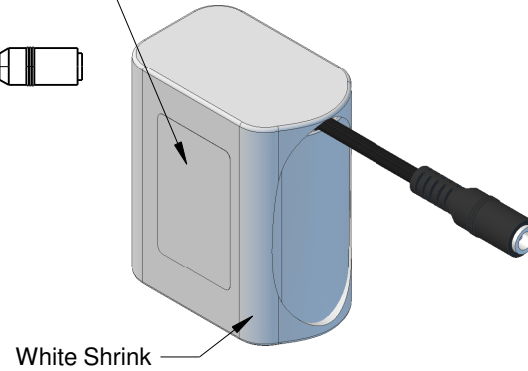
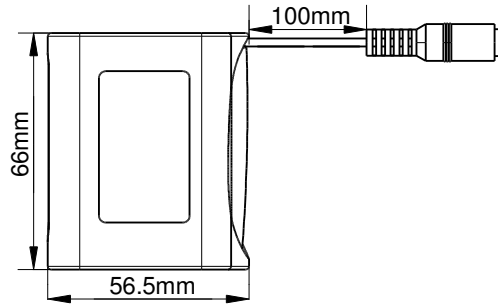
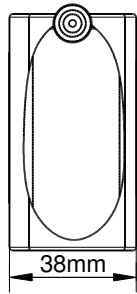
A

B

C

D

PANASONIC
RECHARGEABLE
LICB-18650-2S3P-HC-R
7.2V 10.05Ah 72.36Wh Lilon
Assembled in Australia
(RL813) (247194) (TJ)



Mi
Master Instruments

This drawing and the designs so represented are the copyright property of Master Instruments Pty Ltd. The drawing shall not be copied, loaned or issued without the express written permission of a duly authorised representative of Master Instruments Pty Ltd.

PART NO	RL813	STOCK CODE	88003-110	RevNo	0
CELL TYPE	NCR18650B	RECOMMENDED CHARGER	3P10-L1008-2.1mm or FY085XXXX	DATE	22/01/16
				PAGE	1 OF 1

Technical Data

Safety Board (PCM)

PCM	MIPCM-2SXP10A
Over Charge Detection Voltage	4.26V ± 0.025V
Over Charge Release Voltage	4.05V ± 0.05V
Over Discharge Detection Voltage	2.4V ± 0.08V
Over Discharge Release Voltage	3.0V ± 0.10V
Over Current Detection Current	20A ± 2.0A
Max Discharge Current	10A
Short Circuit Protection	External Short 200-500ms
Protection Circuit Resistance	≤30mΩ
PTC Resettable Fuse	N/A
Thermistor	N/A
Chemistry	Lilon
Configuration	2S3P
Voltage	7.2V
Capacity	10.05Ah
Energy	72.36Wh
Weight	295g
Rated Discharge	1.95A (C/5)
Max Discharge Continuous	PCM: 10A
	Cell: 10A (PCM Limit)
Charge Rate	4.875A
Operating Temperature Range	Charge: 10 - 45°C
	Discharge: -20 - 60°C
Charge Voltage	8.4V
Discharge End Voltage	6V
Connector	CE180 2.1mm(ID) x 5.5mm(OD) DC Jack
Suits Mating Connector	P4215 DC Plug Male 2.1mm(ID) x 5.5mm(OD)

1

2

3

6