

1

2

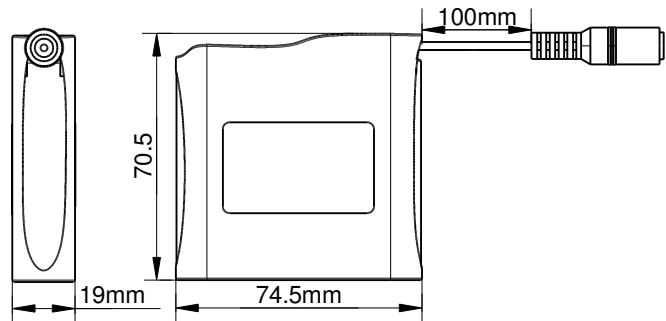
3

4

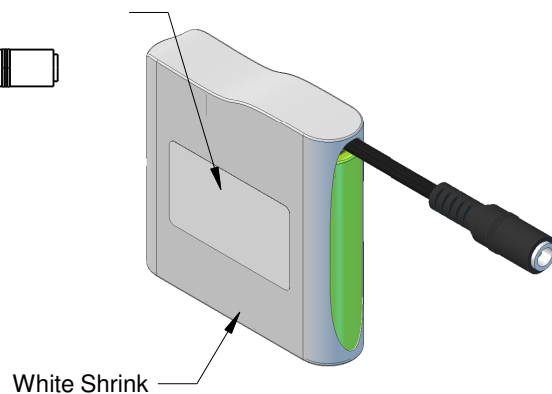
5

6

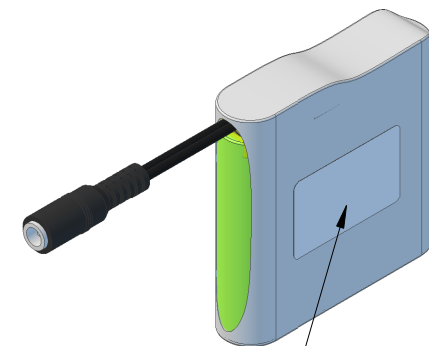
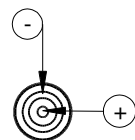
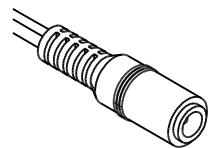
A



PANASONIC
RECHARGEABLE
LICB-18650-4S1P-HC-F
14.4V 3.35Ah 48.24Wh Lilon
Assembled in Australia
(RL819) (247200) (T.J)



B



Lithium Warning Label

C

D

Mi
Master Instruments

This drawing and the designs so represented are the copyright property of Master Instruments Pty Ltd. The drawing shall not be copied, loaned or issued without the express written permission of a duly authorised representative of Master Instruments Pty Ltd.

PART NO	RL819	STOCK CODE	88003-116	RevNo	0
CELL TYPE	NCR18650B	RECOMMENDED CHARGER	3P10-L1016 or FY170XXXX	DATE	12/01/16
				PAGE	1 OF 1

Technical Data

Safety Board (PCM)

PCM	MIPCM-4SXP7A
Over Charge Detection Voltage	4.25V ± 0.025V
Over Charge Release Voltage	4.15V ± 0.05V
Over Discharge Detection Voltage	2.0V ± 0.08V
Over Discharge Release Voltage	3.0V ± 0.10V
Over Current Detection Current	15A ± 2A
Max Discharge Current	7A
Short Circuit Protection	External Short Circuit
Protection Circuit Resistance	≤50mΩ
PTC Resettable Fuse	N/A
Thermistor	N/A
Chemistry	Lilon
Configuration	4S1P
Voltage	14.4V
Capacity	3.35Ah
Energy	48.24Wh
Weight	202g
Rated Discharge	650mA (C/5)
Max Discharge Continuous	PCM: 7A
	Cell: 4.875A
Charge Rate	16.8mA
Operating Temperature Range	Charge: 10 - 45°C
	Discharge: -20 - 60°C
Charge Voltage	16.8V
Discharge End Voltage	12V
Connector	CE180 2.1mm(ID) x 5.5mm(OD) DC Plug
Suits Mating Connector	P4215 DC Plug Male 2.1mm(ID) x 5.5mm(OD)

A

B

C

D

1

2

3

6