

1

2

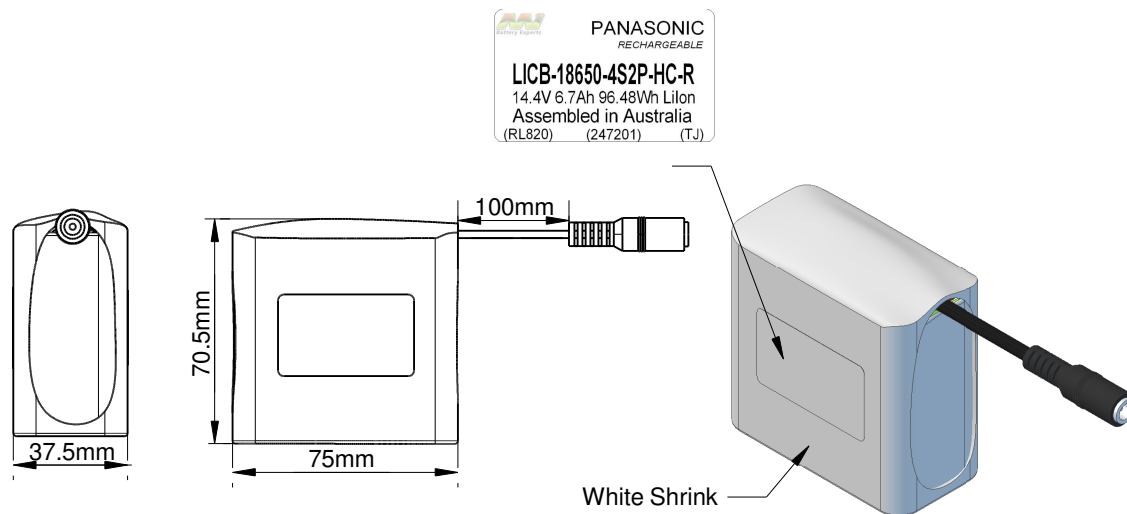
3

4

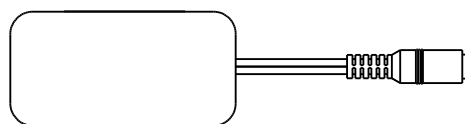
5

6

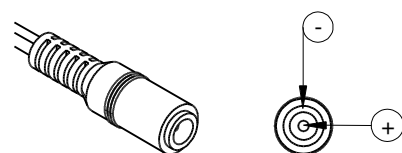
A



B



C



D

Mi
Master Instruments

This drawing and the designs so represented are the copyright property of Master Instruments Pty Ltd. The drawing shall not be copied, loaned or issued without the express written permission of a duly authorised representative of Master Instruments Pty Ltd.

PART NO	RL820	STOCK CODE	88003-117	RevNo	0
CELL TYPE	NCR18650B	RECOMMENDED CHARGER	3P10-L1016 or FY170xxx	DATE	11/12/15
				PAGE	1 OF 1

Technical Data

Safety Board (PCM)

PCM	MIPCM-4SXP7A
Over Charge Detection Voltage	4.25V ± 0.025V
Over Charge Release Voltage	3.0V ± 0.10V
Over Discharge Detection Voltage	2.0V ± 0.08V
Over Discharge Release Voltage	3.0V ± 0.10V
Over Current Detection Current	15A ± 2A
Max Discharge Current	7A
Short Circuit Protection	External Short Circuit
Protection Circuit Resistance	≤50mΩ
PTC Resettable Fuse	N/A
Thermistor	N/A
Chemistry	Lilon
Configuration	4S2P
Voltage	14.4V
Capacity	6.7Ah
Energy	96.48Wh
Weight	392g
Rated Discharge	1.28A (C/5)
Max Discharge Continuous	PCM: 7A
	Cell: 7A (PCM Limit)
Charge Rate	3.25A
Operating Temperature Range	Charge: 10 - 45°C
	Discharge: -20 - 60°C
Charge Voltage	16.8V
Discharge End Voltage	12V
Connector	CE180 2.1mmID x 5.5mmOD DC Plug
Suits Mating Connector	P4215 DC Plug Male 2.1mmID x 5.5mmOD Jack

1

2

3

6