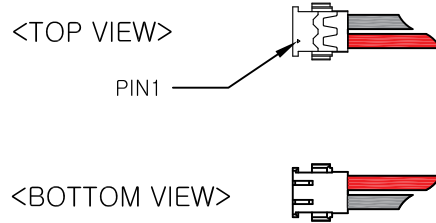
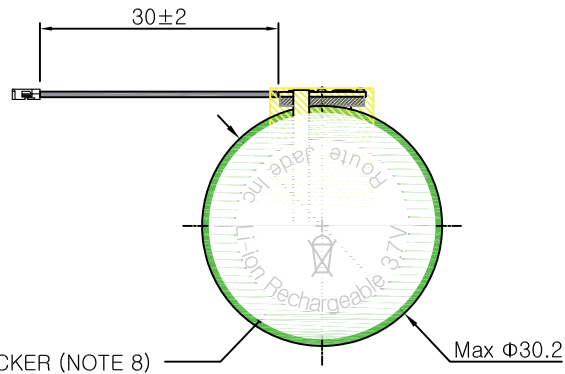


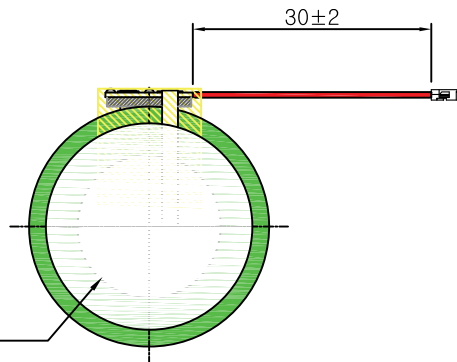
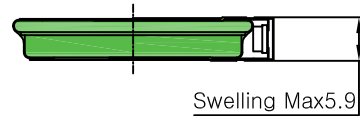


NO		DATE	SIGN	ZONE	REVISIONS	
1		20.05.19	Cha Y.H	-	RELEASED	

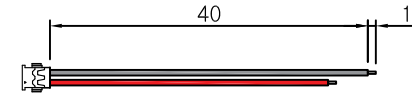
1. Battery pack



MOLEX 78172-0002
(Scale : 3 / 1)



2. Wire



PIN	CONNECTION	WIRE COLOR	WIRE LENGTH	NOTE
1	+	RED	36.0±1	AWG28
2	-	BLACK	41.0±1	AWG28

Note. UNLESS OTHER SPECIFIED

- BATTERY CELL : Routejade PD3048
- WIRE : AWG28
- PCM : RJD201
- POS(+) TO BE RED AND NEG(-) TO BE BLACK
- SHIRINKAGE TUBE
 - COLOR : DEEP GREEN
 - THICKNESS : 0.1t
 - MATERIAL : PVC OR PET
- TAB MATERIAL IS NI PLATE
- INSULATION TAPE
 - MATERIAL IS POLYIMIDE
- INSULATION STICKER(0.1t)
 - POSITIVE : ϕ 28
 - NEGATIVE : ϕ 26
- CONNECTOR : MOLEX 78172-0002

1							
No							
Projection:		Customer / Project name:		Description: PD3048 HP2W28-30MA2			
Dimensions in mm		Prepared & Checked	Verified & Approved	Dwg.No: PD3048 HP2W28-30MA2			
Tolerance: ±0.5		2020 05/19	Yongho_Cha	2020 05/19	YH_Jung	RJD Order No:	
Scale: 1/1							

This drawing is the property of routejade and must not be copied or disclosed to a third party without the written consent of routejade.

