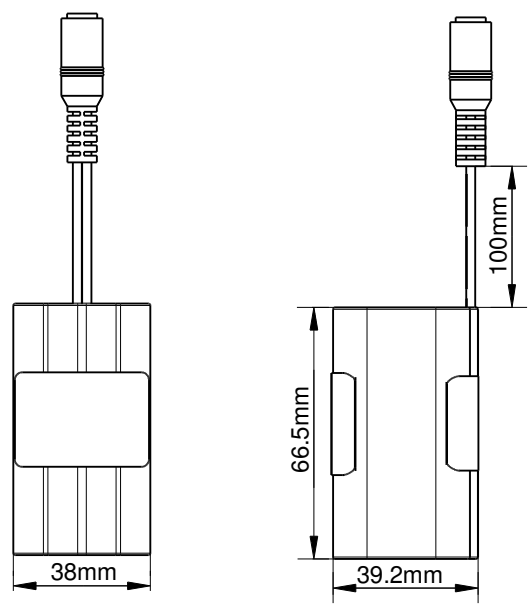
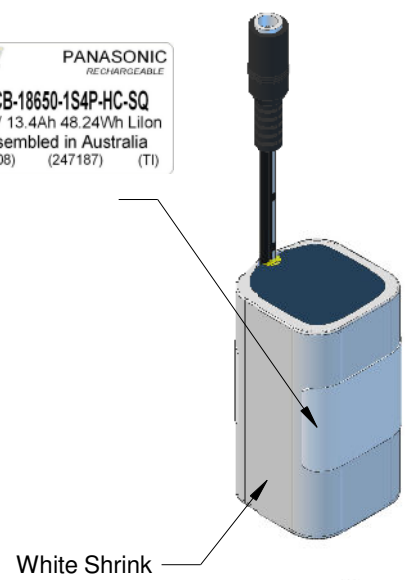


1                      2                      3                      4                      5                      6

A



**PANASONIC**  
RECHARGEABLE  
**LICB-18650-1S4P-HC-SQ**  
3.6V 13.4Ah 48.24Wh Lilon  
Assembled in Australia  
(RL808) (247187) (TI)

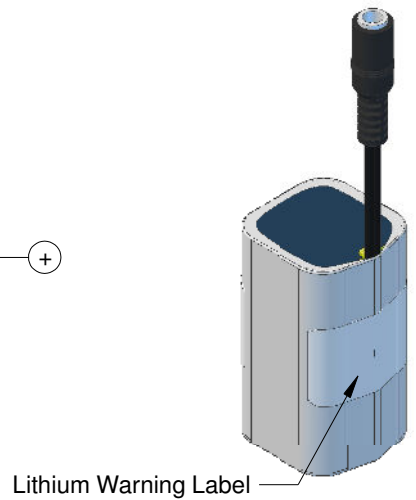
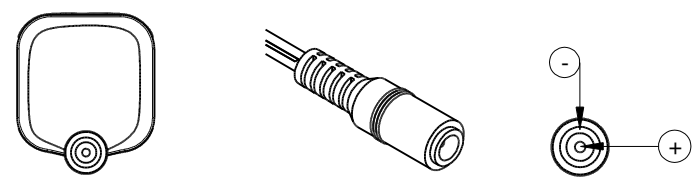


B

A

B

C



D

**Technical Data**

Safety Board (PCM)

PCM	MIPCM-1SXP6AL
Over Charge Detection Voltage	4.30V ± 0.05V
Over Charge Release Voltage	4.10V ± 0.05V
Over Discharge Detection Voltage	2.40V ± 0.1V
Over Discharge Release Voltage	3.0V ± 0.1V
Over Current Detection Current	8.0A ± 1.0A
Max Discharge Current	6A
Short Circuit Protection	External Short Circuit
Protection Circuit Resistance	≤40mΩ
PTC Resettable Fuse	N/A
Thermistor	N/A
Chemistry	Lilon
Configuration	1S4P
Voltage	3.6V
Capacity	13.4Ah
Energy	48.24Wh
Weight	198g
Rated Discharge	2.6A (C/5)
Max Discharge Continuous	PCM: 6A
	Cell: 6A (PCM Limit)
Charge Rate	6A (PCM Limit)
Operating Temperature Range	Charge: 10 - 45°C
	Discharge: -20 - 60°C
Charge Voltage	4.2V
Discharge End Voltage	3V
Connector	CE180 2.1mm(ID) x 5.5mm(OD) DC Jack
Suits Mating Connector	P4215 DC Plug Male 2.1mm(ID) x 5.5mm(OD)



This drawing and the designs so represented are the copyright property of Master Instruments Pty Ltd. The drawing shall not be copied, loaned or issued without the express written permission of a duly authorised representative of Master Instruments Pty Ltd.

PART NO	<b>RL808</b>	STOCK CODE	<b>88003-105</b>	RevNo	0
CELL TYPE	<b>NCR18650B</b>	RECOMMENDED CHARGER	<b>3P10-L1004 or FY0422000</b>	DATE	13/01/16
				PAGE	1 OF 1

1                      2                      3                      4                      5                      6